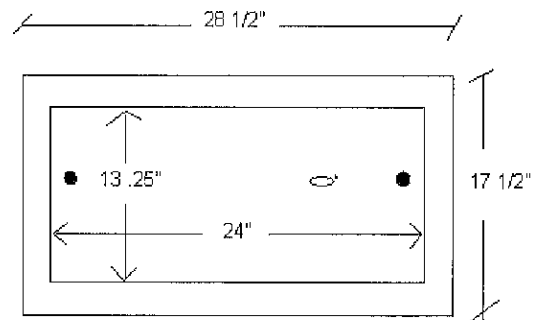
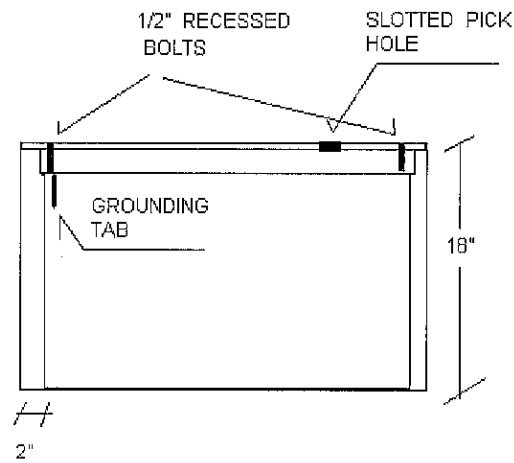


PRECISION PRECAST

TB - 1627 TRAFFIC BOX

K & B STEEL
13 1/4" X 24" GALV
FRAME AND SOLID
COVER

4000 PSI
CONCRETE
W/ FIBER

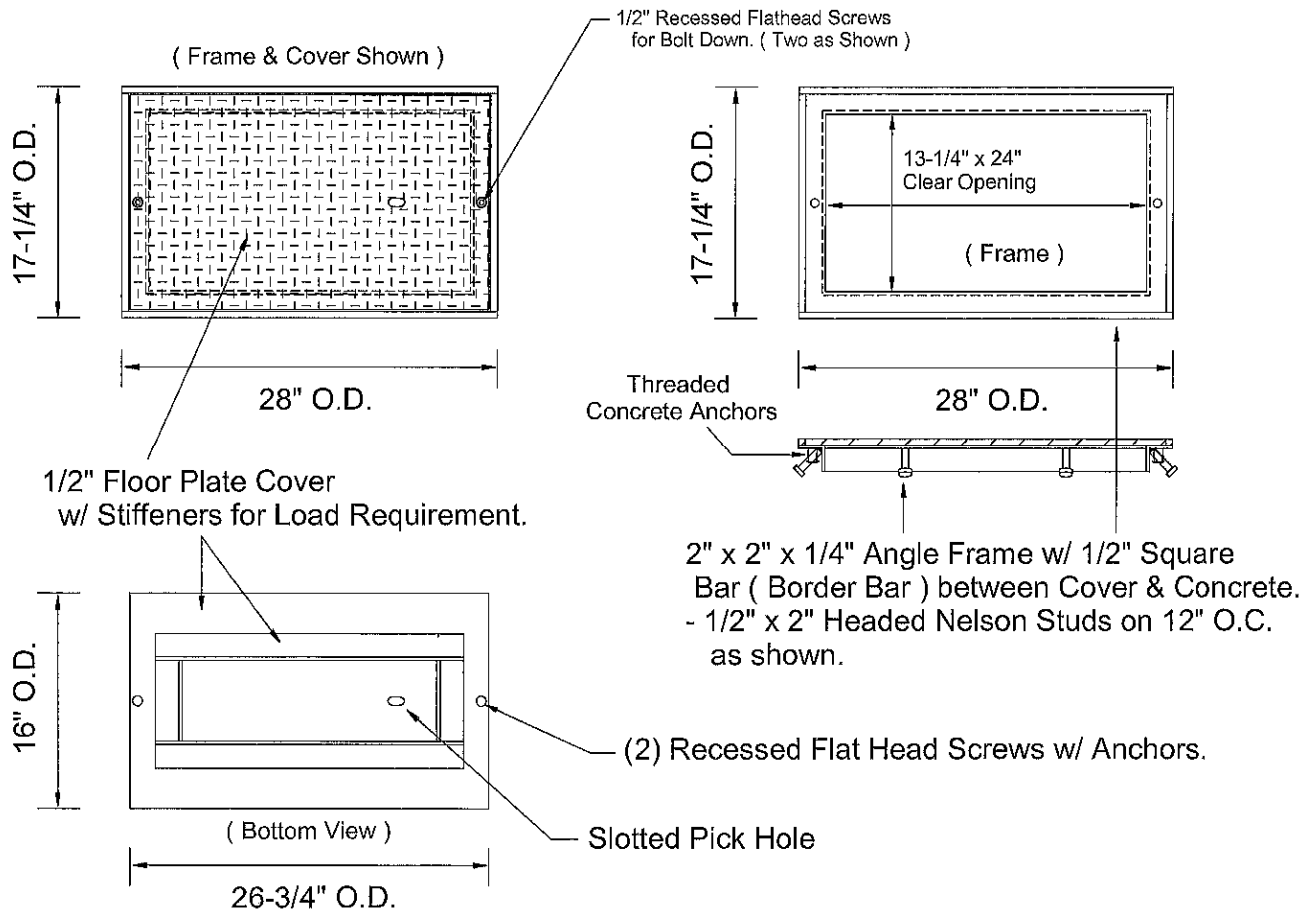


To: EJ
Attn: Rick

K & B Steel
6-1-2016

H-20 Load
Hot Dip Galvanized

13-1/4" x 24"
Frame & Solid Cover



Precision Precast

"Where Quality Comes First"

2801 Old 63 South . Columbia, MO 65201

Phone: 573-442-0995 . Fax 573-474-4086

David Rothove drothove@precision-precast.com

4000 PSI Mix Design

Cement Type1/2	510 lbs
Flyash	90lbs
Fine Agg	1515 lbs
Coarse 3/4" Agg	1982 lbs
Water	174 lbs
Polychem 3000	40.0oz
Polychem SA-50	1.14oz
Polymesh Fibrillated Fiber	1.5lbs

Material Suppliers

Cement	Central Plains, Sugar Creek MO
Fine Agg	Capital Sand, Rocheport MO
Coarse Agg	Mertens Quarry, Auxvasse MO
Polychem 3000	General Resource Tech., St Louis MO
Polychem SA-50	General Resource Tech., St Louis MO
Polymesh Fibrillated Fiber	General Resource Tech., St Louis MO

Test reports will be supplied upon completion.

Sample report attached.

GRT

ADMIXTURES FOR CONCRETE

Polymesh™ answers concrete reinforcement questions.

Polymesh™ is manufactured to optimum gradations from 100% pure virgin polypropylene, which increases the homogenization of concrete to produce a more favorable consistency at equal slump. Although concrete with Polymesh™ fibers may appear stiffer than non-fibrous concrete, it still maintains the same level of workability without the addition of extra water. GRT recommends that all concretes be checked to ensure compliance with specifications and established mix designs.

When used at an addition rate of 1-1/2 lbs per cubic yard of concrete, Polymesh™ will meet or exceed the specified value for Performance Level I of ASTM C-1116 15' Toughness Index.

Dosage Rates may vary according to application. (Minimum 1.5 lb/cubic yard). Custom packaging and lengths are available according to project requirements (1/2", 5/8", 3/4" with equal gradations).

Engineered to meet and comply with existing building codes.



APPLICABLE STANDARDS

Polymesh™ Fibrillated Fibers meet the material specifications described in ASTM C-1116, Type III, Section 4.1.3, "Synthetic Fiber Reinforced Concrete or Shotcrete".

Meets the properties for polypropylene established in ACI 544.1 R-82, Table 1.1.

ADVANTAGES

- Will control shrinkage and thermal cracking
- Will not rust or corrode
- Will assist in preventing cracks; whereas wire mesh may influence cracking
- Low cost alternative to light duty wire mesh reinforcement
- Reduces permeability to chloride and increases

Polymesh™

Fibrillated Fiber Reinforcement System for Concrete

impact resistance

- Chemically inert and non-hazardous, will not react with any components normally incorporated in concrete
- Contains no additives harmful to the skin when handling
- Does not affect concrete pumpability, set time or finishing characteristics
- Qualifies as non-structural fiber reinforcement in hardened concrete

PACKAGING

Polymesh™ Fibrillated Fibers are available in 1-1/2 pound water-dispersible bags, (18 bags per carton, 18 cartons per pallet). For additional information, please contact your GRT Polymesh™ representative.

HANDLING

Polymesh™ Fibrillated Fibers should be stored in a weathertight area.

General Resource Technology assumes no responsibility for the end products or uses made with our Polymesh fibers due to GRT's lack of control during design, manufacture, or testing of these products.

